

The electronic code lock is designed by 2 kinds of code: Master Code and User Code  
The main features are as following:

Can store 9 groups of different codes;  
Alarm when the battery low;  
Can be supplied by outside power;  
Alarm if error code entered 5 times continuously.

## 1. INSTALLATION

### 1.1 Diagram

- ① Handle (Left handle; Right handle)
- ② "S" key: Set up
- ③ Green light indicator
- ④ Socket for outside power (6V)
- ⑤ Red light indicator
- ⑥ Digital key (0-9)
- ⑦ "ON" key:unlock confirmation
- ⑧ Emergency manual key
- ⑨ Reset key for Master code

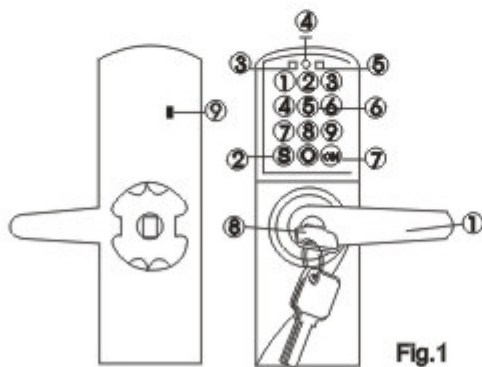


Fig.1

### 1.2 Install the lock:

See the fig.2,fig.3.

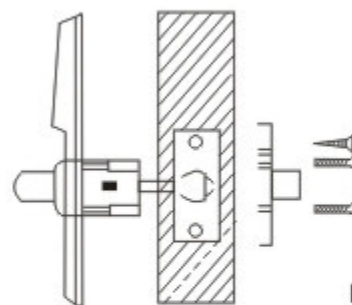


Fig.2

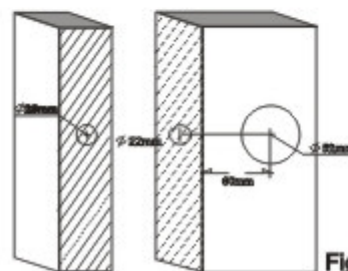


Fig.3

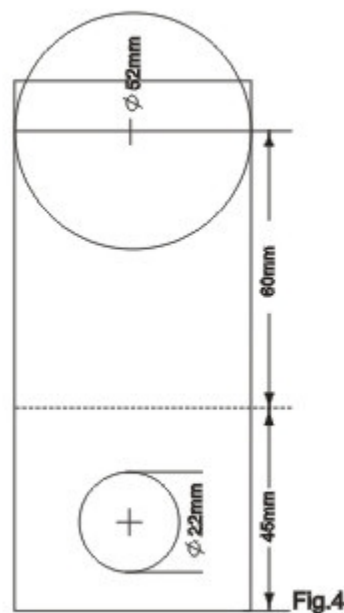


Fig.4